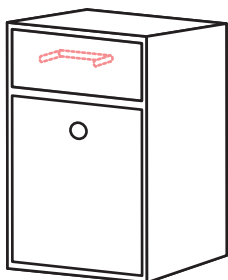


The Wall Mount Bin Style Locking Mailbox is designed for your security and convenience. This mailbox is constructed of heavy duty galvanized steel and is designed to be installed on a vertical wall where mail may be delivered.

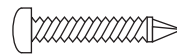
Below you will find a list of hardware parts and detailed installation instructions. Please take the time to carefully sort the hardware and familiarize yourself with the function of each piece for ease of installation. Typical installation hardware has also been provided for your convenience. Since concrete is a hard surface, take proper care when installing this hardware into hard surfaces, making sure not to break the drill bit or screws provided. An electric drill may be required for hard surface installation.

## Parts and Hardware List

- 1 Wall Mount Bin Style Locking Mailbox.**



- 4 Mounting Screws**  
Used to connect mailbox to masonry, concrete or brick wall. May also be used to attach to a wooden wall.



- 4 Steel Washers**  
Used with mounting screws.



- 3 Security Keys**  
Used to lock and unlock your mailbox. Write down your key number and keep in a safe place in case you need more keys made at a later date.



- 4 Rubber Grommets**  
Already inserted in the box.



- 1 4mm Drill Bit**  
Used to drill hole into concrete, brick, mortar or wood.



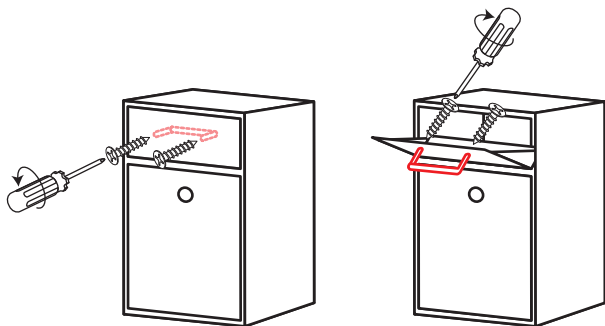
- 1 TORX (T25) Drive Bit**  
Used to drive screw into hole.



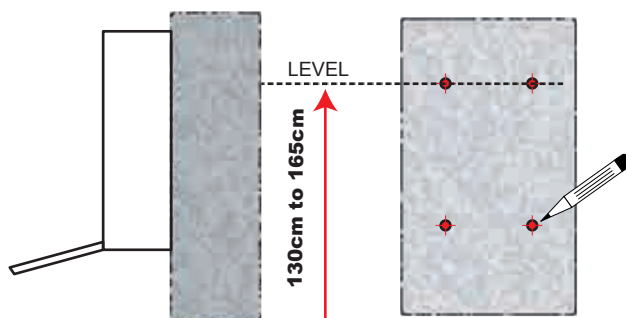
This mailbox has an extra hardware pack containing 4 extra screws and 1 extra drill bit should you need it.

## Installation of Wall Mount mailbox onto stucco or masonry. (For EIFS "faux" stucco, consult EIFS manufacturer.)

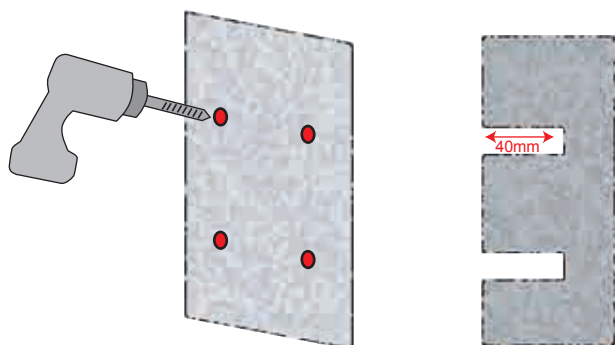
- 1** Use Phillips Head screwdriver to remove handle from inside of bin door and use provided screws to attach handle to outside of bin door.



- 2** Using the template found on the reverse side, carefully arrange and mark the two top holes levelly and about 130cm to 165cm above the floor, or according to your preference, then mark the bottom two holes.



- 3** Using the 4mm drill bit provided, create four pilot holes at least 10mm deeper than screws provided, or about 40mm deep. If the material is unusually hard you may need to use a rotary impact drill rather than a standard drill to make the holes. Call a handy man if needed. Put a small amount of caulk or silicone into each hole.



- 4** Place one steel washer onto each of the four screws provided. Attach the correct socket bit for the screw onto a hand driver or an **electric drill**. Now carefully tighten the screws all the way into the wall. **Do not** over-tighten or over-torque the screws or you may break off the screws or strip out the holes.

