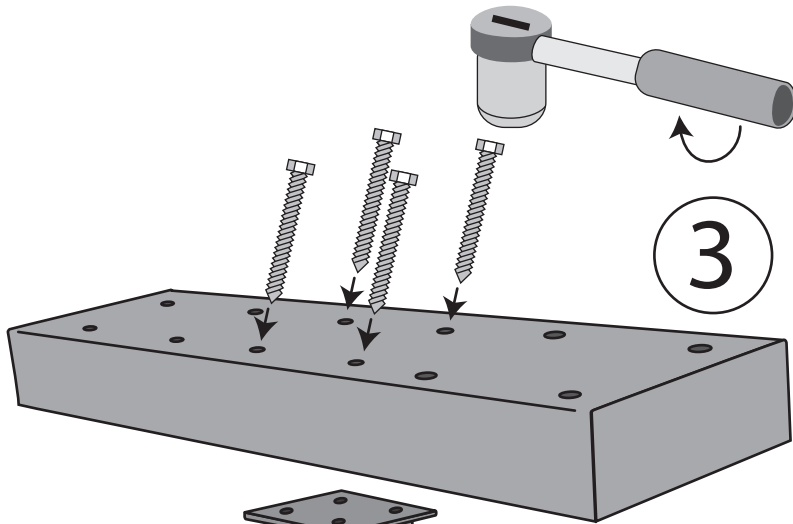


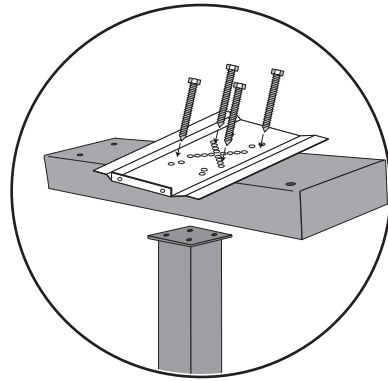
SPREADER BAR INSTALLATION

EPOCH DESIGN, LLC

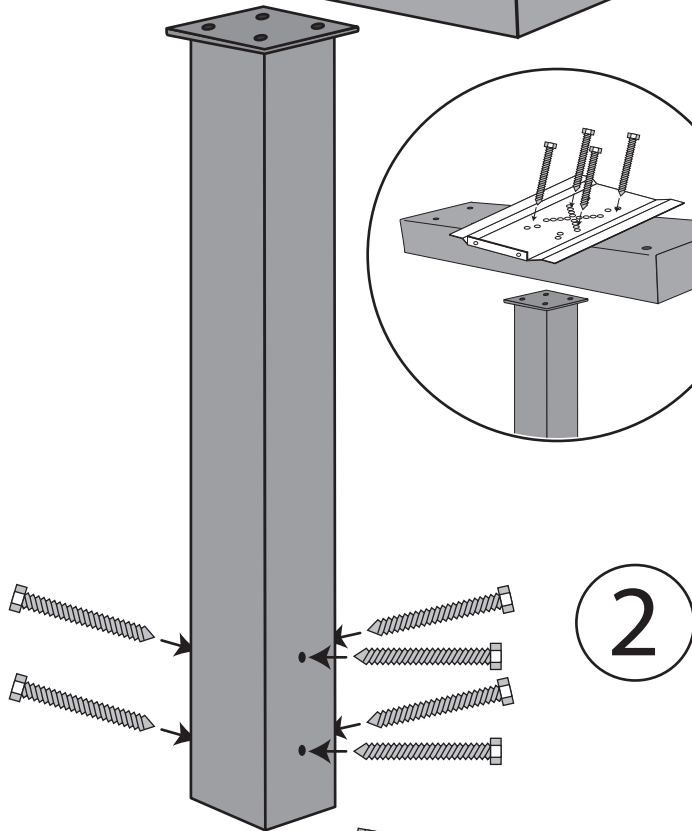
Before installing the spreader bar make sure your post is fully secured to the ground (steps 1 & 2).



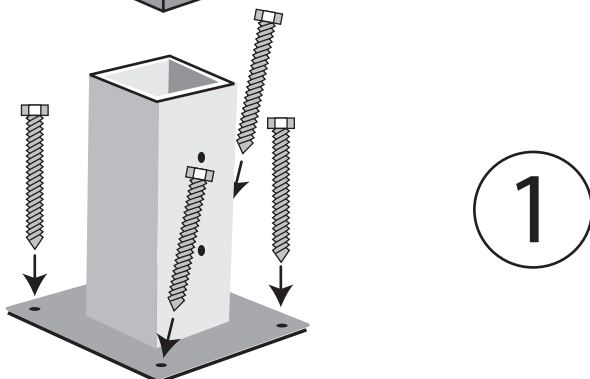
Center the spreader bar on the post and secure the spreader bar by inserting and tightening the 4 bolts included.



If you're installing a mailbox with a mounting plate on a 3 box spreader install the 4 bolts through the mounting plate first, then through the spreader bar, and lastly through the post to secure them.



Slide the surface mount post onto the base plate. Using the 6 bolts included with the base plate, secure the post to the base plate by tightening the bolts. The top of your post should now be 30 to 34 inches above street level.



Attach and secure the base plate to the curb using 4 masonry anchors (there are various kinds, typically $\frac{1}{4}$ " x 3" masonry "outdoor" screws are adequate.)